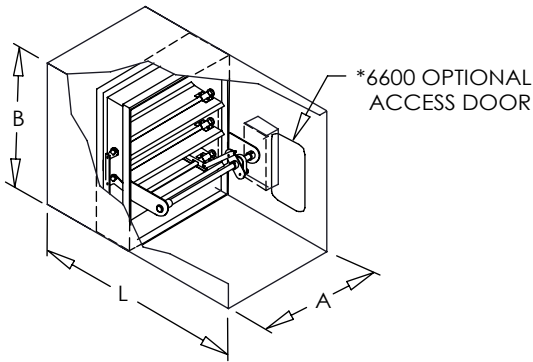


Fire Rated Submittal

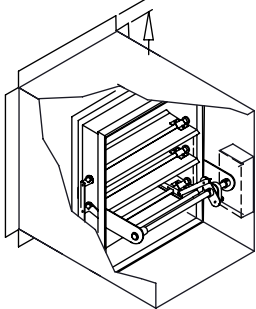
Sleeves for Fire & Smoke Dampers: FSD-111, SD-333, FD-555, CFSD-222 & CSD-444

MODEL: Fire & Smoke Damper Sleeves Series

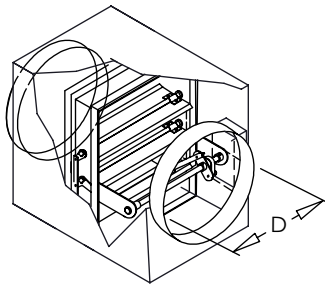


SLEEVE STYLE A

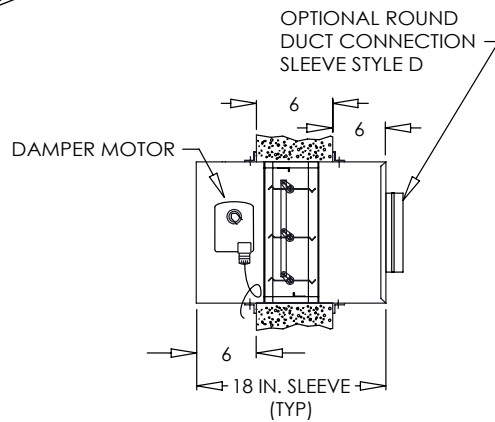
1" FLANGE
TYPICAL



SLEEVE STYLE C



SLEEVE STYLE D



Standard Features:

- Sleeve Type A: Square or rectangular
- 20 gauge galvanized steel
- 18" minimum length
- Mill Finish

Options:

- Gauges: 14 through 20 ga.
- Access door installed (6600), minimum 25" sleeve length required (Note: Minimum size damper 10"x10" i.e. FSD-111-2-10"x10")
- Duct smoke detector (D4120), minimum 25" sleeve length required
- Retaining angles
- Fractional O.D. sizes available

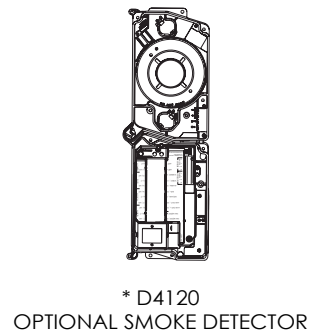
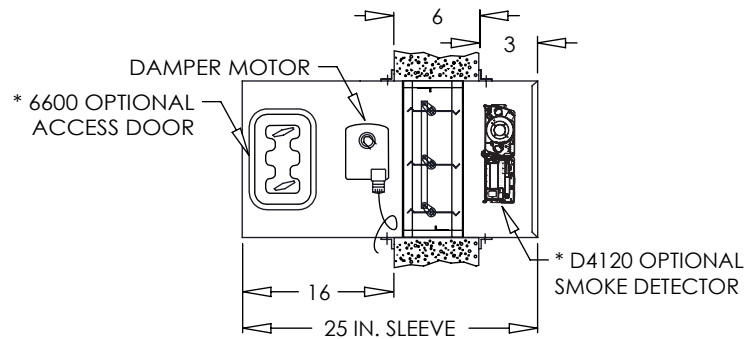
Air Pattern Options:

- Type C: Square or rectangular with flange
- Type D: Square or rectangular with round collar

Finishes:

STANDARD COLORS

- Mill Finish



Additional Information:

Submittal Notes

Project / Location:

Engineer:

Architect:

Contractor: